

10M CAN SEAMER

SEMI-AUTOMATIC ALL PURPOSE CAN SEAMER



FEATURES:

- UK Manufactured
- All food grade 316 stainless steel construction
- Can manufacturer approved double seam formation
- Easy changeover for different can sizes
- Extremely robust and reliable
- Manual lever lift
- High number (13) of 1st Op revolutions
- Spring adjustable base pressure
- Easy pin height setting and adjustment
- Minimal wear parts
- UKCA, CE and UL certified

The 10M Can Seamer is a single head, manually actuated can seamer. Manufactured from 316 Stainless Steel, the 10M is a robust and reliable solution for can seaming in laboratory, pilot plant and low volume production environments.

Suitable for seaming tinfoil, aluminium, paperboard or plastic cans, the 10M is extremely versatile in use and the premier option for a complete range of applications.

A high number (13) of 1st Op revolutions mean even the most lightweight ends can be closed with optimal double seam formation.

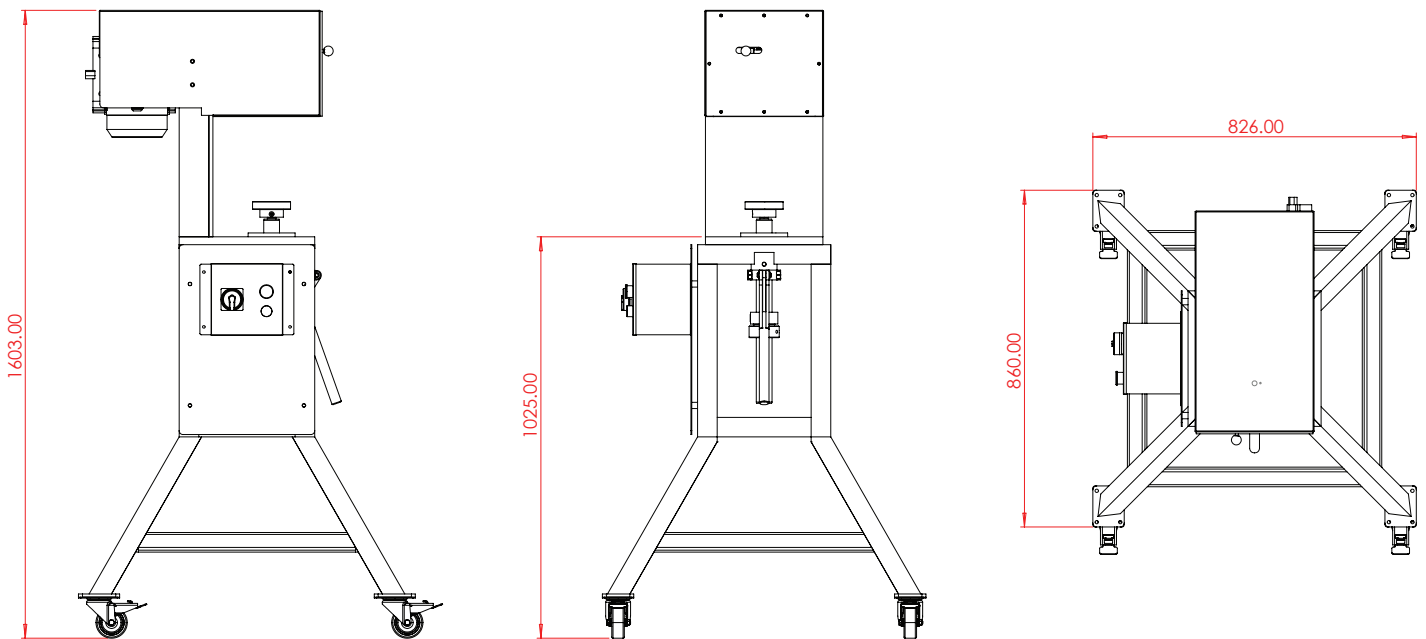
The seaming operation is motor driven and manually triggered using a lever. The 10M has the same mechanical components as a high-speed seamer but in a smaller frame, to ensure the highest quality commercial seam integrity.

The lifter mechanism has an adjustable mechanical spring and is raised against a repeatable dead stop, allowing full and easy setting for a repeatable body hook parameter.

Changeover to different can heights is extremely easy using the height adjustable lifter shaft, taking just a couple of minutes using the pin height gauges. Can diameter changeovers take just 10 minutes from start to finish.

10M CAN SEAMER

SEMI-AUTOMATIC ALL PURPOSE CAN SEAMER



TECHNICAL DATA

CAN DIAMETER RANGE	50-153mm
CAN HEIGHT RANGE	50-250mm
CAPACITY	Up to 10 CPM
AC MOTOR POWER	0.75kw
NET WEIGHT	150kg