

10VG SEAMER

SEMI-AUTO VACUUM AND GASSING SEAMER



FEATURES:

- Manufactured in the UK
- Designed to EHEDG principles of hygienic manufacturing
- Residual oxygen levels of less than 0.5%
- Hygienic tri-clamp pressure sensor for accurate vacuum levels
- Hygienic grade 316 Stainless Steel manufacturing
- High number (13) of 1st Op revolutions
- Spring adjustable base pressure
- Can manufacturer approved double seam formation
- Two button control for operator safety
- Integrated oil-free vacuum pump
- Easy change over between can sizes
- UKCA, CE and UL certified

The 10VG Seamer, is an all stainless steel, modified atmosphere, can closing machine. Designed with the most stringent safety and hygiene requirements in mind, the 10VG is the premium slow speed vacuum and gassing seamer on the market.

Optimised for infant milk formula, milk powder and other oxygen sensitive products, the 10VG is capable of closing cans with less than 0.5% residual oxygen.

The atmospheric pressure is monitored using a stainless steel hygienic tri-clamp pressure sensor. A solenoid valve opens to allow the chamber to be evacuated, using the built in vacuum pump. Another solenoid controls the input of nitrogen into the chamber after the evacuation. The desired pressure settings can be easily adjusted on the Siemens touch screen HMI.

Height changes are possible in just a few minutes using the easy to adjust handwheel. Pin height gauges allow operators to quickly set the head height without needing to fine adjust the setting.

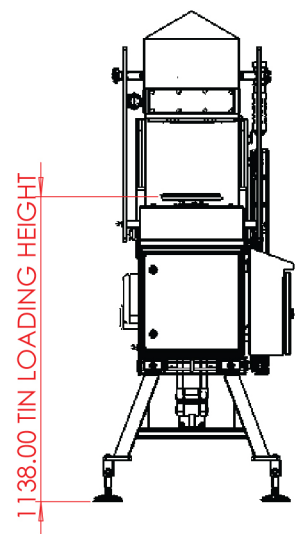
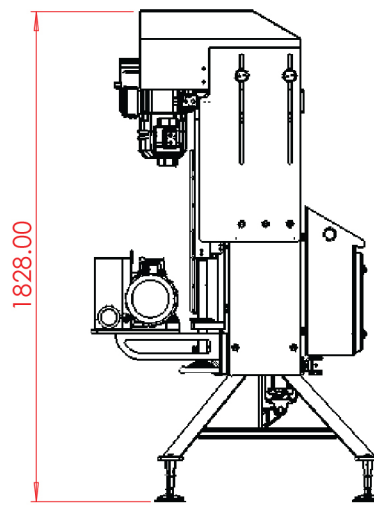
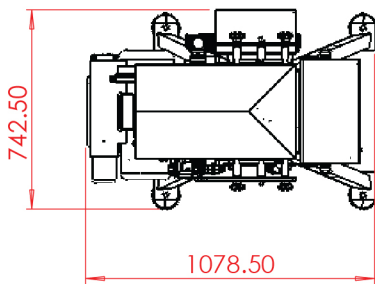
Can diameter changes take just 30 minutes to complete a full changeover. The vacuum seal plates, lifter plate and seamer tooling are all easily accessible and easy to remove.

Operation is extremely simple; just place a filled can with loose lid onto the lifter plate. Press and hold the operator safe twin buttons for the duration of the cycle, before the can lowers back to the home position.

Vacuum and gassing seamers have typically required dimpled ends to achieve the best results in lowering residual oxygen. However, the 10VG has the option to use a magnetic chuck, holding the end off the can during the vacuum and gassing process. The program will automatically change sequence to allow for this, simply by selecting on the HMI.

10VG SEAMER

SEMI-AUTO VACUUM AND GASSING SEAMER



TECHNICAL DATA

CAN DIAMETER RANGE	99-189MM
CAN HEIGHT RANGE	110-250MM
CAPACITY	4 CPM VAC & GAS
AC MOTOR POWER	2.5KW 400V THREE PHASE 16A
FOOTPRINT	742.5MM X 1078.5MM
RESIDUAL OXYGEN	LESS THAN 0.5%